



Ø146x100mm CA146-100T Series AC Centrifugal Blower



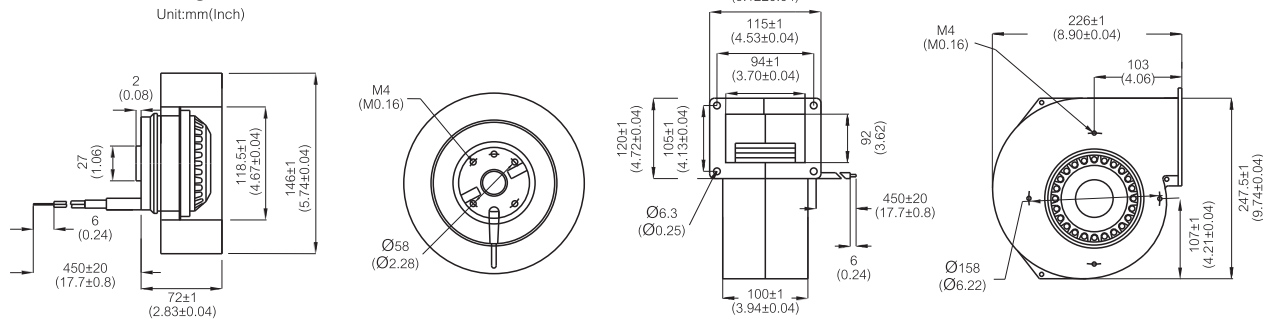
Specification:

Air Flow	255 ~ 325CFM
Impeller	Die-cast Aluminum Housing Galvanised Sheet Steel Impeller
Motor	Capacitor-Run Induction and External Rotor Motor
Rotor	Black Paint
Bearing	Dual Ball Bearing, Permanently Lubricated
Operating Voltage Range	85VAC to 125VAC for 115V Type 185VAC to 245 VAC for 230V Type
Lead Wire	AWG# 20 UL
Insulation	Class "B" or "F"
Safety	Thermally Protected (Auto Restart)
Operating Temperature	2C→ -20°C to +40°C; 3C→ -20°C to +60°C
Weight	2800g



Item Code	Rated Voltage	Frequency (Hz)	Rated Current(A)	Input Power(W)	Speed (RPM)	Air Flow (CFM)	Air Flow (m³/min)	Static Pressure (inch-H ₂ O)	Noise dB(A)	Capacitor (μF)
CA1V146-100T-FMG-B38-2C	115V	50/60	1.84/2.13	210/240	1900/2000	315/325	8.92/9.2	1.77/2.52	67/67	20μF 200VAC
CA2V146-100T-FMG-B38-2C	230V	50/60	0.93/1.06	210/240	1900/2000	315/325	8.92/9.2	1.77/2.52	67/67	5μF 400VAC
CA1V146-100T-FMG-B38-3C	115V	50/60	1.20/1.34	135/155	1650/1600	270/255	7.6/7.2	1.73/2.42	63/62	12μF 200VAC
CA2V146-100T-FMG-B38-3C	230V	50/60	0.60/0.66	135/155	1650/1600	270/255	7.6/7.2	1.73/2.42	63/62	3μF 400VAC

Outline Drawing:



Characteristic Curves:

