

# Ø120x98mm CA120-98T Series AC Centrifugal Blower



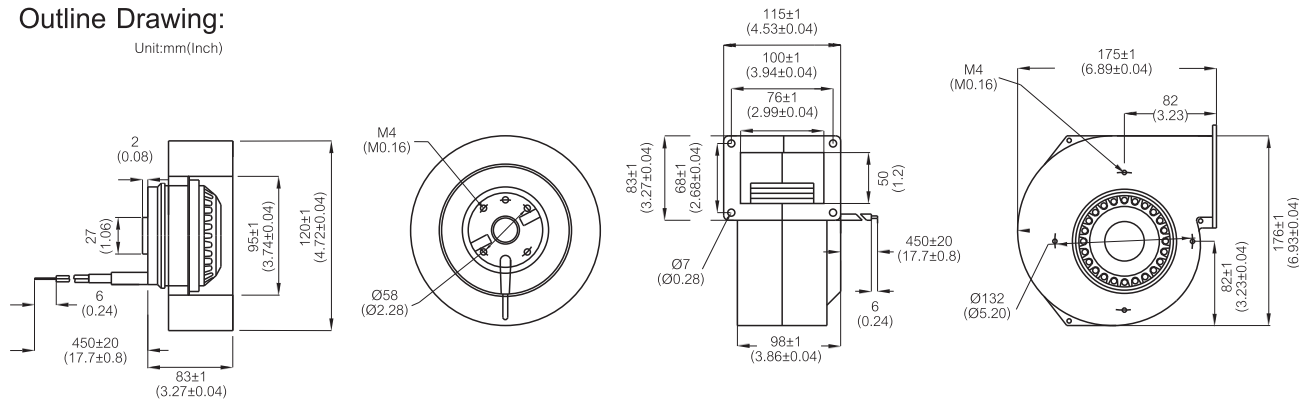
### Specification:

Air Flow	100 ~ 165CFM
Impeller	Die-cast Aluminum Housing Galvanised Sheet Steel Impeller
Motor	Capacitor-Run Induction and External Rotor Motor
Rotor	Black Paint
Bearing	Dual Ball Bearing, Permanently Lubricated
Operating Voltage Range	85VAC to 125VAC for 115V Type 185VAC to 245 VAC for 230V Type
Lead Wire	AWG# 20 UL
Insulation	Class "B" or "F"
Safety	Thermally Protected (Auto Restart)
Operating Temperature	-20°C to +60°C
Weight	1910g

Item Code	Rated Voltage	Frequency (Hz)	Rated Current(A)	Input Power(W)	Speed (RPM)	Air Flow (CFM)	Air Flow (m³/min)	Static Pressure (inch-H <sub>2</sub> O)	Noise dB(A)	Capacitor (µF)
CA1V120-98T-FMG-B33-2C	115V	50/60	0.72/0.80	78/94	2300/2450	155/165	4.39/4.67	1.34/1.86	60/61	7µF 200VAC
CA2V120-98T-FMG-B33-2C	230V	50/60	0.35/0.41	78/94	2300/2450	155/165	4.39/4.67	1.34/1.86	60/61	2µF 400VAC
CA1V120-98T-FMG-B33-4C	115V	50/60	0.34/0.40	39/44	1650/1600	105/100	2.97/2.83	1.14/1.46	53/52	5µF 200VAC
CA2V120-98T-FMG-B33-4C	230V	50/60	0.17/0.20	39/44	1650/1600	105/100	2.97/2.83	1.14/1.46	53/52	1µF 400VAC

### Outline Drawing:

Unit:mm(Inch)



### Characteristic Curves:

