

Ø250x112mm BA250-112T Series AC Centrifugal Fan



Specification:

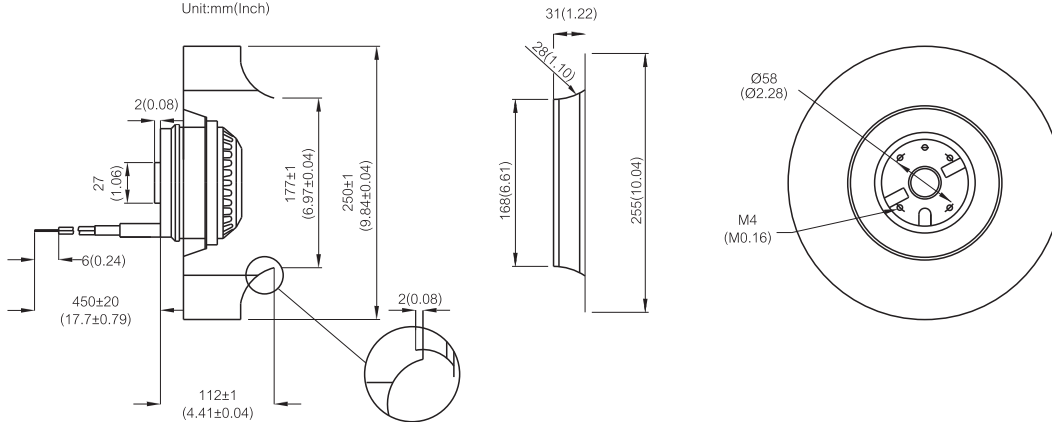
| | |
|-------------------------|--|
| Air Flow | 945 ~ 1020 CFM |
| Impeller | Plastic PA (Polyamide Glass-fiber Reinforced) |
| Motor | Capacitor-Run Induction and External Rotor Motor |
| Rotor | Black Paint |
| Bearing | Dual Ball Bearing, Permanently Lubricated |
| Operating Voltage Range | 85VAC to 125VAC for 115V Type 185VAC to 245 VAC for 230V Type |
| Lead Wire | AWG# 20 UL |
| Insulation | Class "B" or "F" |
| Safety | Thermally Protected (Auto Restart) |
| Operating Temperature | -20°C to +70°C |
| Weight | 2700g |



| Item Code | Rated Voltage | Frequency (Hz) | Rated Current(A) | Input Power(W) | Speed (RPM) | Air Flow (CFM) | Air Flow (m ³ /min) | Static Pressure (inch-H ₂ O) | Noise dB(A) | Capacitor (μF) |
|------------------------|---------------|----------------|------------------|----------------|-------------|----------------|--------------------------------|---|-------------|----------------|
| BA1V250-112T-FPA-B7-2C | 115V | 50/60 | 1.46/2.03 | 170/235 | 2500/2650 | 945/1020 | 26.76/28.88 | 2.42/3.08 | 74/75 | 20μF 200VAC |
| BA2V250-112T-FPA-B7-2C | 230V | 50/60 | 0.74/1.04 | 170/235 | 2500/2650 | 945/1020 | 26.76/28.88 | 2.42/3.08 | 74/75 | 5μF 400VAC |

Outline Drawing:

Unit:mm(Inch)



Characteristic Curves:

