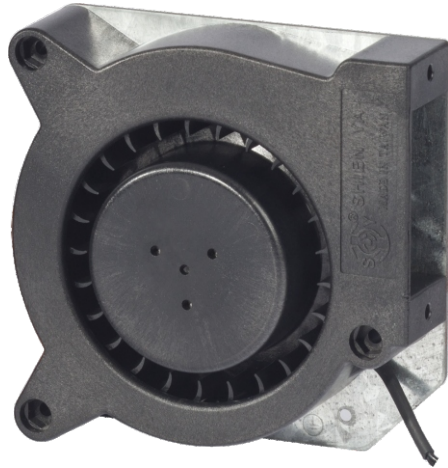




121x121x37mm BA12C37T Series AC BLOWER



Specification:

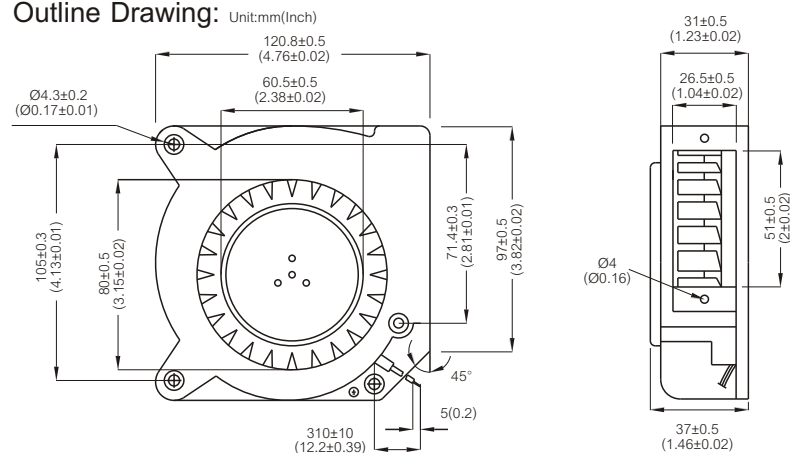
Air Flow	22~ 23 CFM
Housing	Spiral Housing of Fiberglass-Reinforced Polycarbonate Housing Base of Galvanized Steel Plate
Impeller	Thermoplastic PBT, UL94V-0
Bearing	Ball or Sleeve
Termination	Lead Wire
Operating Voltage Range	85VAC to 125VAC for 115V Type 185VAC to 245 VAC for 230V Type
Insulation	Class "B" or "F"
Safety	Impedance Protected
Operating Temperature	-10°C to + 70°C for Sleeve Type -20°C to + 80°C for Ball Type
Weight	625g



Item Code	Bearing Availability	Rated Voltage	Frequency (Hz)	Rated Current(A)	Input Power(W)	Speed (RPM)	Air Flow (CFM)	Air Flow (m³/min)	Static Pressure (inch-H ₂ O)	Noise dB(A)
BA1V12C37TBL-2	B,S	115V	50/60	0.27/0.24	21/19	2500/2500	22/23	0.62/0.65	0.42/0.62	53/54
BA2V12C37TBL-2	B,S	230V	50/60	0.14/0.12	21/20	2500/2500	22/23	0.62/0.65	0.42/0.62	53/54

For "Sleeve" bearing version, change the "B" in the model number to "S".

Outline Drawing:



Characteristic Curves:

