



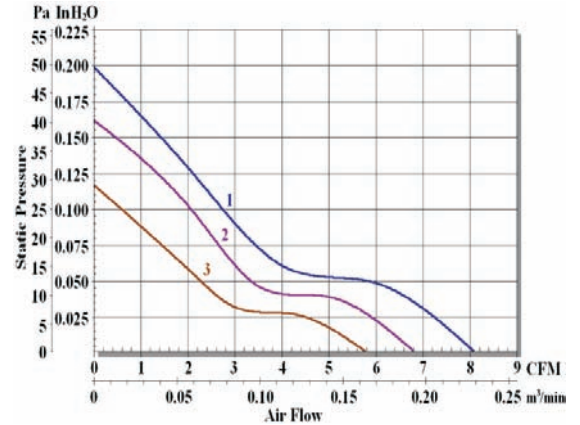
40x40x20mm

## AD40-20T Series

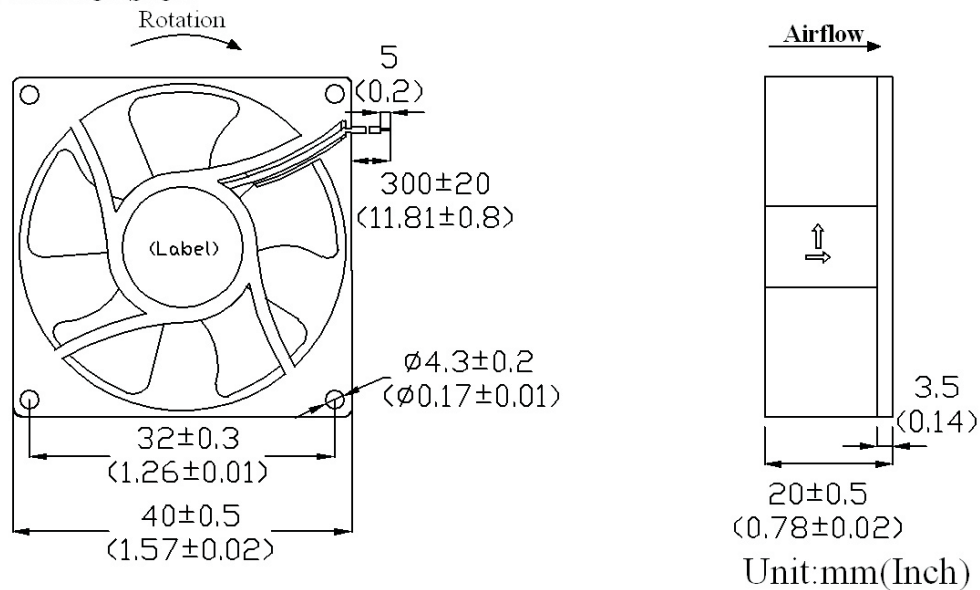
### DC Axial Fan

#### Specification:

- **Air Flow** : 5.8 ~ 8.1 CFM
- **Housing** : Thermoplastic PBT, UL94V-0
- **Impeller** : Thermoplastic PBT, UL94V-0
- **Bearing** : Ball or Sleeve
- **Termination** : Lead Wire UL2468 AWG#26 or Equivalent  
Red Wire Positive (+); Black Wire Negative (-);  
Yellow Wire Function (3)
- **Operating Temperature** : -10°C to + 70°C for Sleeve Type  
-20°C to + 80°C for Ball Type
- **Weight** : 24.3g
- **Function** : *Function type is optional*  
P: Protection (Automatic restart when lock up removed)  
A: Alarm  
I: Inspect



#### Outline Dimension



Item Code	Rated Voltage	Rated Current (A)	Input Power (W)	Speed RPM	Max. Air Flow		Noise dB(A)
					CFM	m <sup>3</sup> /min	
AD05V40-20T-FPH-B5-N1	5V	0.16	0.8	7200	8.1	0.23	31
AD05V40-20T-FPH-B5-N2	5V	0.14	0.7	6200	6.8	0.19	27
AD05V40-20T-FPH-B5-N3	5V	0.10	0.5	5200	5.8	0.16	24
AD12V40-20T-FPH-B5-N1	12V	0.10	1.2	7200	8.1	0.23	31
AD12V40-20T-FPH-B5-N2	12V	0.07	0.9	6200	6.8	0.19	27
AD12V40-20T-FPH-B5-N3	12V	0.05	0.6	5200	5.8	0.16	24
AD24V40-20T-FPH-B5-N1	24V	0.06	1.5	7200	8.1	0.23	31