



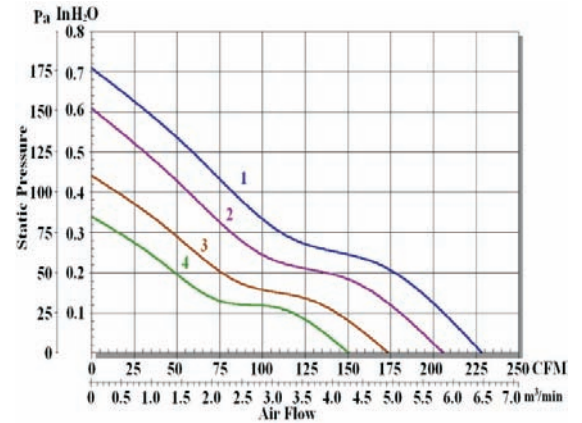
AD150-51T Series

DC Axial Fan

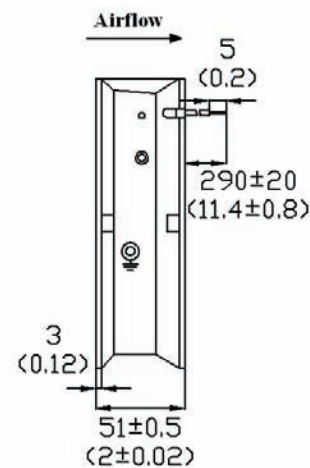
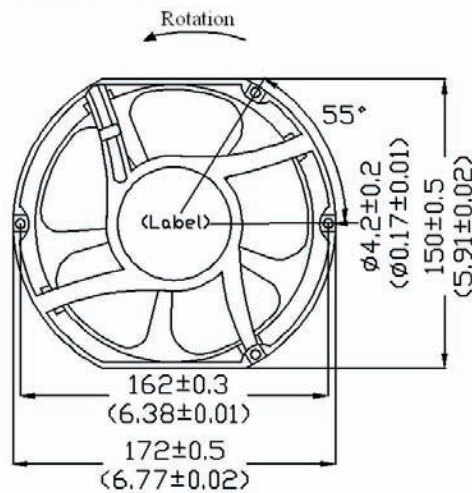
150x172x51mm

Specification:

- **Air Flow** : 150 ~ 229 CFM
- **Housing** : Die-Cast Aluminum, Painted Black
- **Impeller** : Fiberglass- Reinforced Polycarbonate
- **Bearing** : Ball or Sleeve
- **Termination** : Lead Wire UL 1007 AWG#22 or Equivalent
Red Wire Positive (+); Black Wire Negative (-);
Yellow Wire Function (3)
- **Operating Temperature** : -20°C to + 80°C
- **Weight** : 792g
- **Function** :
P: Protection (Automatic restart when lock up removed)
A: Alarm (optional)



Outline Dimension



Unit:mm(Inch)

Item Code	Rated Voltage	Rated Current (A)	Input Power (W)	Speed RPM	Max. Air Flow		Noise dB(A)
					CFM	m³/min	
AD12V150-51T-FPG-B5-N1P	12V	1.90	23	3400	229	6.5	58
AD12V150-51T-FPG-B5-N2P	12V	1.40	17	3000	206	5.8	56
AD12V150-51T-FPG-B5-N3P	12V	0.86	11	2600	174	4.9	52
AD12V150-51T-FPG-B5-N4P	12V	0.60	7	2200	150	4.2	46
AD24V150-51T-FPG-B5-N1P	24V	0.90	22	3400	229	6.5	58
AD24V150-51T-FPG-B5-N2P	24V	0.65	16	3000	206	5.8	56
AD24V150-51T-FPG-B5-N3P	24V	0.43	11	2600	174	4.9	52
AD24V150-51T-FPG-B5-N4P	24V	0.30	7	2200	150	4.2	46
AD48V150-51T-FPG-B5-N1P	48V	0.52	25	3400	229	6.5	58
AD48V150-51T-FPG-B5-N2P	48V	0.40	19	3000	206	5.8	56
AD48V150-51T-FPG-B5-N3P	48V	0.28	13	2600	174	4.9	52
AD48V150-51T-FPG-B5-N4P	48V	0.19	9	2200	150	4.2	46