

# 225x225x80mm

AA200-80T Series AC Square Axial Fan



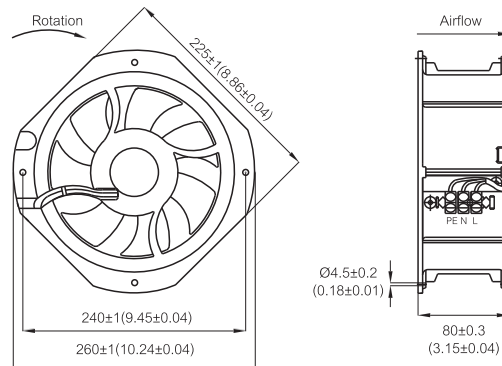
### Specification:

Air Flow	497~611 CFM
Housing	Die-cast Aluminum
Blades	Sheet-Steel,Welded onto Rotor
Bearing	Dual Ball Bearing, Permanently Lubricated
Termination	Terminals
Operating Voltage Range	85VAC to 125VAC for 115V Type 185VAC to 245 VAC for 230V Type
Insulation	Class "B" or "F"
Safety	Thermally Protected (Auto Restart)
Operating Temperature	-20°C to +60°C(Humidity 30%~85% RH)
Weight	1920g



Item Code	Rated Voltage	Frequency (Hz)	Rated Current(A)	Input Power(W)	Speed (RPM)	Air Flow (CFM)	Air Flow (m³/min)	Static Pressure (inch-H <sub>2</sub> O)	Noise dB(A)	Capacitor (μF)
AA1V200-80T-FMC-B1-2C	115V	50/60	0.68/0.65	66/74	2480/2830	538/611	15.2/17.3	0.68/0.69	60/63	6μF 200VAC
AA2V200-80T-FMC-B1-2C	230V	50/60	0.33/0.33	66/75	2490/2820	538/609	15.2/17.2	0.68/0.69	60/63	1.5μF 400VAC
AA1V200-80T-FMC-B1-3C	115V	50/60	0.40/0.53	46/60	2360/2450	499/517	14.1/14.7	0.48/0.42	58/59	6μF 200VAC
AA2V200-80T-FMC-B1-3C	230V	50/60	0.20/0.26	44/58	2360/2440	497/517	14.0/14.7	0.48/0.42	58/59	1.5μF 400VAC

### Outline Drawing: Unit:mm(Inch)



### Characteristic Curves:

