

180x180x65mm A18C65T Series AC Axial Fan



Specification:

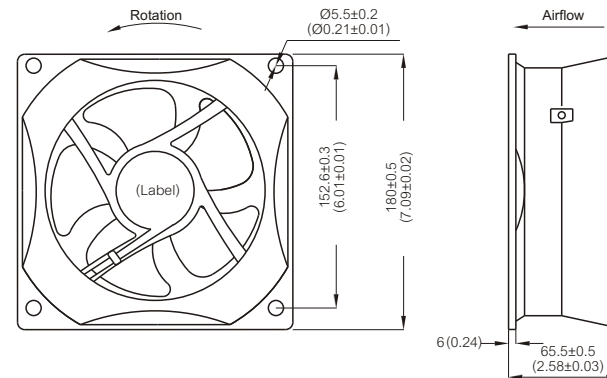
| | |
|-------------------------|--|
| Air Flow | 342 ~ 394 CFM |
| Housing | Die-Cast Aluminum, Painted Black |
| Impeller | Injection Molded of Flame Retardant Polycarbonate, Black |
| Bearing | Ball |
| Termination | Terminals or Lead Wire |
| Operating Voltage Range | 85VAC to 125VAC for 115V Type 185VAC to 245 VAC for 230V Type |
| Insulation | Class "B" or "F" |
| Safety | Thermally Protected (Auto Restart) |
| Operating Temperature | -20°C to + 80°C |
| Weight | 1600g |



| Item Code | Rated Voltage | Frequency (Hz) | Rated Current(A) | Input Power(W) | Speed (RPM) | Air Flow (CFM) | Air Flow (m³/min) | Static Pressure (inch-H ₂ O) | Noise dB(A) |
|----------------|---------------|----------------|------------------|----------------|-------------|----------------|-------------------|---|-------------|
| A1V18C65TBL-1C | 115V | 50/60 | 0.49/0.66 | 56/74 | 2800/3150 | 342/365 | 9.70/10.30 | 0.67/0.61 | 58/61 |
| A2V18C65TBL-1C | 230V | 50/60 | 0.26/0.33 | 58/76 | 2900/3300 | 352/394 | 9.90/11.10 | 0.67/0.81 | 58/61 |

For "Terminal" version, change the "L" in the model number to "T"

Outline Drawing: Unit:mm(Inch)



Characteristic Curves:

