



151x172x51mm A15C51T Series AC Axial Fan



Specification:

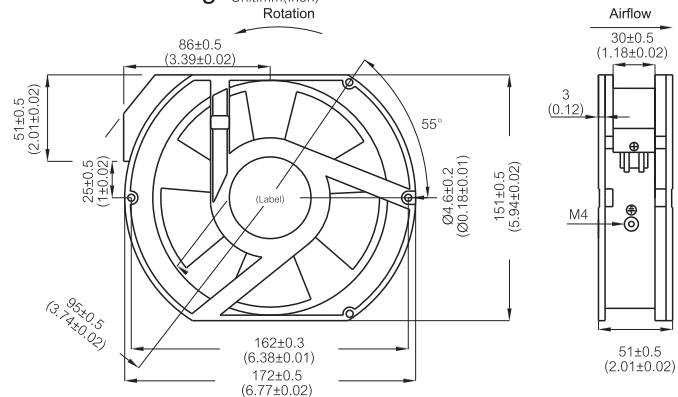
| | |
|-------------------------|--|
| Air Flow | 99 ~ 230 CFM |
| Housing | Die-Cast Aluminum, Painted Black |
| Impeller | Thermoplastic PBT, UL94V-0 |
| Bearing | Ball |
| Termination | Terminals or Lead Wire |
| Operating Voltage Range | 85VAC to 125VAC for 115V Type 185VAC to 245 VAC for 230V Type |
| Insulation | Class "B" or "F" |
| Safety | Thermally protected (Auto Restart)/ Impedance Protected |
| Operating Temperature | -20°C to + 80°C |
| Weight | 875g |

| Item Code | Rated Voltage | Frequency (Hz) | Rated Current(A) | Input Power(W) | Speed (RPM) | Air Flow (CFM) | Air Flow (m³/min) | Static Pressure (inch-H ₂ O) | Noise dB(A) |
|----------------|---------------|----------------|------------------|----------------|-------------|----------------|-------------------|---|-------------|
| A1V15C51TBL-1C | 115V | 50/60 | 0.22/0.28 | 25/31 | 2900/3300 | 198/226 | 5.60/6.40 | 0.66/0.40 | 57/61 |
| A2V15C51TBL-1C | 230V | 50/60 | 0.11/0.15 | 25/32 | 2900/3300 | 198/230 | 5.60/6.50 | 0.66/0.64 | 57/61 |
| A1V15C51TBL-4C | 115V | 50/60 | 0.15/0.15 | 17/16 | 1455/1470 | 99/118 | 2.80/3.40 | 0.18/0.26 | 39/45 |
| A2V15C51TBL-4C | 230V | 50/60 | 0.06/0.07 | 14/14 | 1455/1735 | 99/119 | 2.80/3.40 | 0.18/0.25 | 39/44 |



For "Terminal" version, change the "L" in the model number to "T"

Outline Drawing: Unit:mm(Inch)



Characteristic Curves:

