



151x172x38mm A15C38T Series AC Axial Fan



Specification:

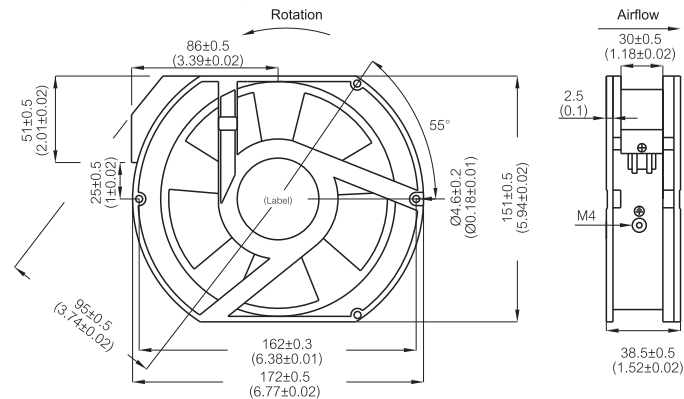
Air Flow	99 ~ 229 CFM
Housing	Die-Cast Aluminum, Painted Black
Impeller	Thermoplastic PBT, UL94V-0
Bearing	Ball
Termination	Terminals or Lead Wire
Operating Voltage Range	85VAC to 125VAC for 115V Type 185VAC to 245 VAC for 230V Type
Insulation	Class "B" or "F"
Safety	Thermally Protected (Auto Restart)
Operating Temperature	-20°C to + 80°C
Weight	693g



Item Code	Rated Voltage	Frequency (Hz)	Rated Current(A)	Input Power(W)	Speed (RPM)	Air Flow (CFM)	Air Flow (m³/min)	Static Pressure (inch-H ₂ O)	Noise dB(A)
A1V15C38TBL-1C	115V	50/60	0.22/0.29	25/32	2900/3300	198/225	5.60/6.40	0.64/0.47	58/62
A2V15C38TBL-1C	230V	50/60	0.11/0.14	25/31	2900/3400	198/229	5.60/6.50	0.64/0.70	58/62
A1V15C38TBL-4C	115V	50/60	0.15/0.15	16/16	1450/1735	100/119	2.80/3.40	0.18/0.25	40/45
A2V15C38TBL-4C	230V	50/60	0.06/0.07	14/13	1450/1730	99/117	2.80/3.30	0.18/0.24	40/45

For "Terminal" version, change the "L" in the model number to "T"

Outline Drawing: Unit:mm(Inch)



Characteristic Curves:

